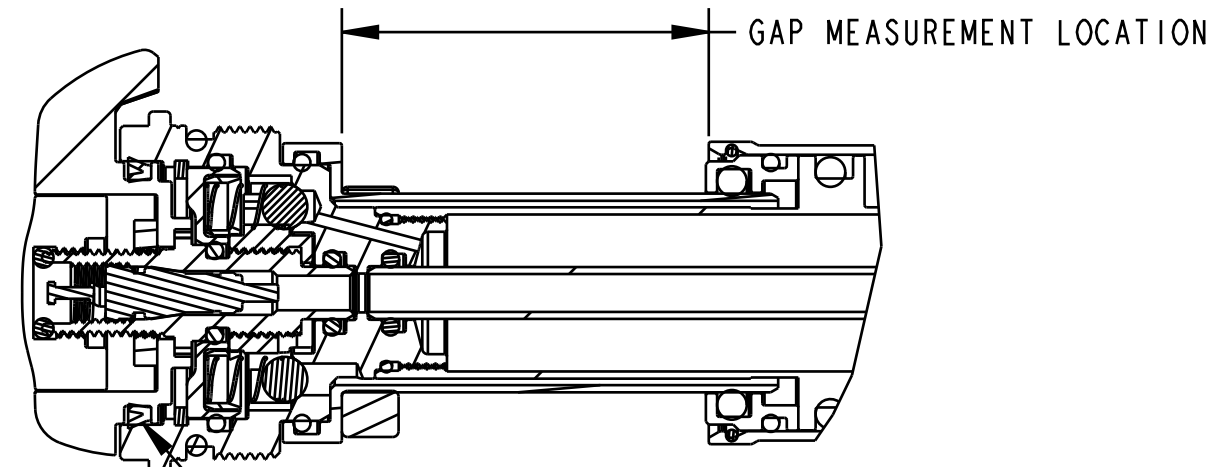
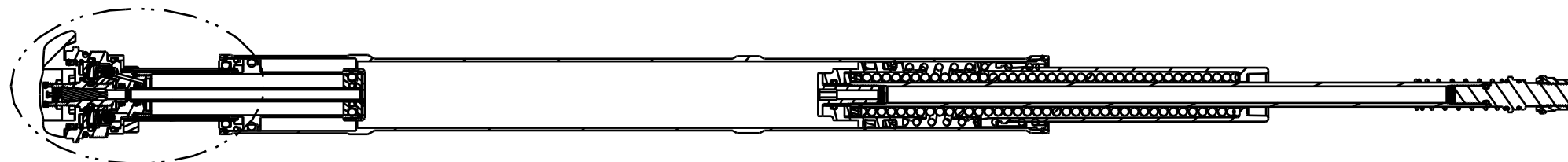


4

3

2

1



IMPORTANT:  
NOTE ORIENTATION  
OF U-CUP SEAL

REFERENCE ONLY  
(FOR INSTALLATION  
INTO FORK)

TORQUE:  
50±5 IN.LB.

234-04-593  
Neg Plate, TALAS 5

OIL:  
LIGHTLY COAT OD OF SPRINGS  
WITH FLOAT FLUID

038-01-060

Retaining Ring: Wire [0.950 OD x 0.040 CS]

241-01-002

Fastener, Custom: Crush Washer, Plastic, R\_RL\_RLC

241-00-005

Fastener, Custom: Nut, Bottom, R\_RL\_RLC

Travel Adjust Spacer, TALAS 5

REFERENCE ONLY  
(FOR INSTALLATION  
INTO FORK)

TORQUE:  
220±5 IN.LB.

GREASE:  
THIN LAYER  
OF SLICK HONEY

TORQUE:  
40±5 IN.LB.

TORQUE:  
25±5 IN.LB.

029-08-060

Seals: O-Ring [6.0mm ID x 1.5mm CS] Metric, N-70, Static

010-00-050

Air Valve Parts: Tank Valve [5/16-32] w/O-ring Boss

GREASE:  
THIN LAYER  
OF SLICK HONEY

036-01-043

Seals: U-Cup, Shore 70A, 2013 Fit-CTD and CTD-ADJ

LEVER 234-04-423

241-00-009

NUT, 5/16-32

029-03-008

O-Ring (-008) [.070 C.S. X .176 ID]

234-04-424

Air Cap, TALAS 5

AIR SHAFT ASSEMBLY

CARTRIDGE TUBE 234-34-690

TOPCAP ASSEMBLY 820-05-260-KIT

**FOX** FOX Factory, Inc. Ph 831-768-1100  
130 Hangar Way, Watsonville, CA 95076 USA Fax 831-768-9312

TITLE  
32mm 26in./27.5in. TALAS 5, No XV Sleeve  
Cartridge Assembly, Complete

SIZE DWG. NO.

C

PLOT SCALE 0.60:1

SHEET 1 OF 1

PROPRIETARY  
THIS DOCUMENT CONTAINS CONFIDENTIAL, PROPRIETARY INFORMATION  
THAT IS FOX PROPERTY. DO NOT DISCLOSE TO OR DUPLICATE  
FOR OTHERS EXCEPT AS AUTHORIZED BY FOX.

4

3

2

ProE ASSEM